

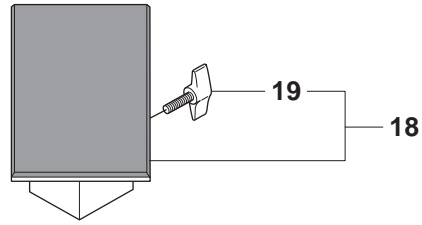
DS50 Basic
DS50 Combi

Reservdelar
Spare parts
Ersatzteile
Pieces de rechange
Piezas de repuesto
Ricambi
Peças sobresselente

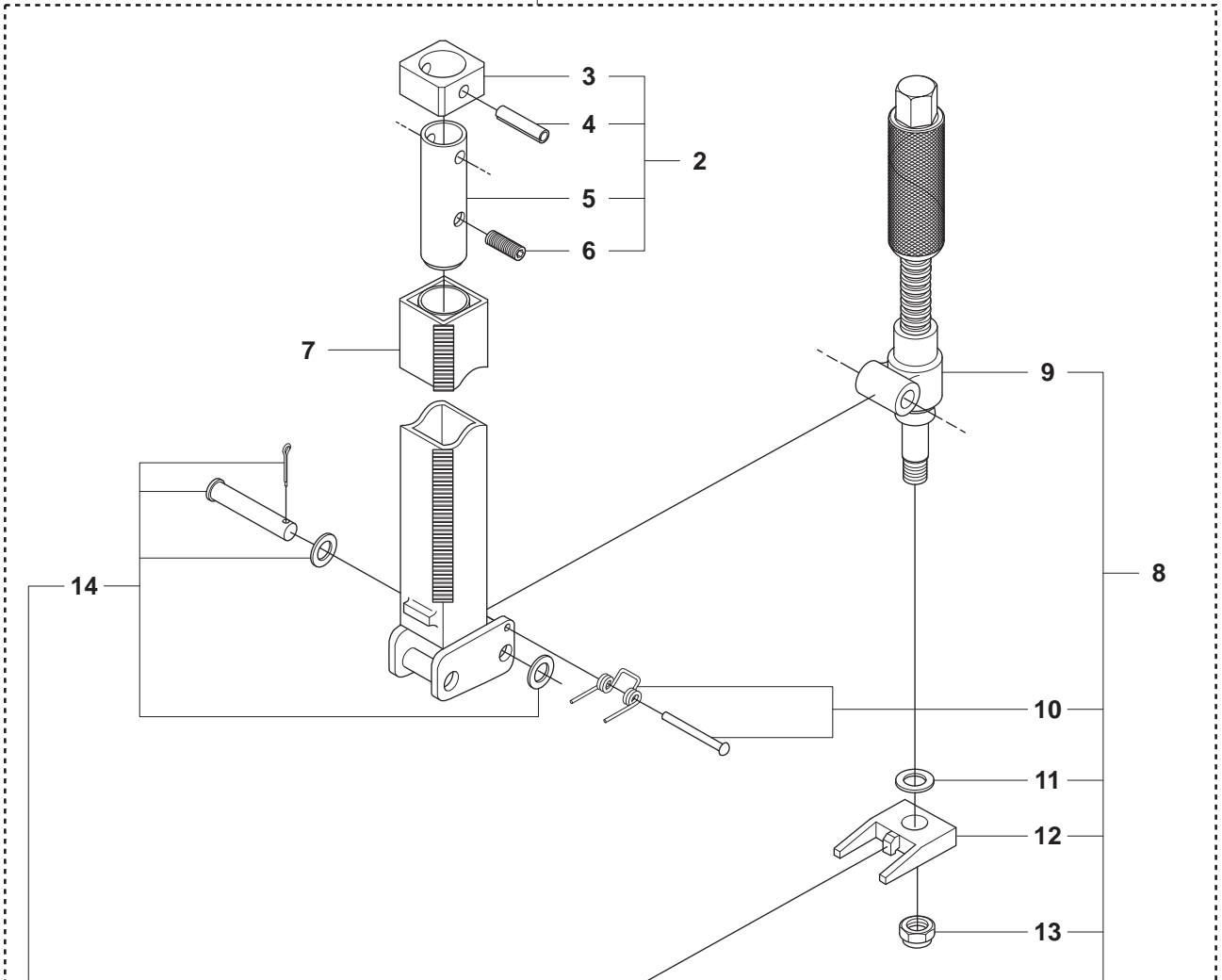
No.	Pos.	Description	No.	Pos.	Description
504 02 06-02	D	SHAFT HOLDER	531 14 06-18	D	ADJUSTMENT SCREW
504 02 10-01	C2	DECAL HUSQVARNA	531 14 06-20	AD	PLUG
504 02 10-02	AD	DECAL	531 14 06-27	D	WASHER
504 03 04-03	D	BASE PLATE BASIC/COMBI	531 14 06-30	C2	NUT
504 04 81-01	D	STOP SCREW 50 CPL	531 14 06-58	C2	SCREW
504 04 82-01	D	WASHER	531 14 06-59	B	SCREW
504 04 84-01	D	STOP SCREW	531 14 06-72	C1	GRIP
504 60 06-01	C1	GEAR WHEEL	531 14 06-73	C1	SPRING
504 60 06-02	C1	SHAFT	531 14 06-74	B	WEDGE
504 69 63-01	B	SCREW	531 14 06-82	C1,C2	LEVER
504 71 18-02	C1	SLEEVE	531 14 06-85	C2	SCREW
504 71 19-01	C1	WASHER	531 14 06-86	C2	SCREW
504 71 92-01	B	MOTOR MOUNT 50/70	531 14 07-12	B	WASHER
504 90 36-01	C1	SCREW	531 14 07-22	D	WASHER
504 90 49-01	C1	SHAFT	531 14 07-23	D	SCREW
504 90 83-04	C1	SPRING	531 14 07-28	D	WHEEL
504 90 83-05	C1	BALL	531 14 07-30	D	COVER PLATE
504 90 83-07	C1	LID	531 14 07-53	A	STOP SLEEVE
504 90 83-08	C1	BUSHING	531 14 07-62	E	L ALLEN KEY 8MM
504 90 83-09	C1	SLEEVE	531 14 08-97	C1	LEVEL ROUND
504 90 83-10	C1	PIN	531 14 08-98	C1	LEVEL SQUARE
504 90 83-12	C1	SCREW	544 03 01-01	D	DRILL RACK BASIC
504 90 83-15	C1	WASHER	544 06 97-01	D	LOCKING SCREW
504 90 83-16	C1	WASHER	544 12 85-02	C2	DECAL CE
504 90 83-17	C1	KNOB	544 22 27-02	E	SPANNER 24MM
504 90 83-18	C1	WASHER	544 27 98-01	E	L ALLEN KEY 6MM
504 90 83-19	C1	SCREW			
504 90 83-21	C1	MOUNTING PLATE			
504 90 83-22	C1	MOUNTING PLATE			
504 90 83-23	C1	PIN			
504 90 83-24	C1	SCREW			
504 90 83-25	C1	LOCK SLEDGE			
504 90 83-26	C1	PIN			
504 90 83-33	B	WEDGE			
504 90 83-34	C2	SCREW			
504 90 83-35	C1	WASHER			
504 90 83-36	C1	WEDGE			
504 90 83-37	C1	BRACKET			
505 40 03-01	C1,C2	DRILL CARRIAGE 50 ASSY			
505 40 03-03	C1	SLEEVE			
505 40 03-04	C1	PLUG			
505 40 03-05	C1	HOLDER			
505 40 03-07	C1	MOUNTING BRACKET			
505 40 03-08	C1	SPRING			
505 40 03-09	C1	SLEEVE			
505 40 03-10	C1	MOUNTING BRACKET ASSY			
505 40 03-11	C2	DRILL CARRIAGE 50			
505 40 03-12	C2	HANDLE			
506 40 04-01	A	PIPE OUTER			
506 40 05-01	A	PIPE INNER			
506 40 08-07	B	MOTOR MOUNT 50/70 ASSY			
506 40 14-01	A	BOLT KIT			
506 40 14-02	A	BOLT KIT			
506 40 76-09	D	SHAFT HOLDER WITH WHEEL			
506 40 79-13	D	BASE PL. BASIC/COMBI NO WHEEL			
506 40 80-14	D	BASE PL. BASIC/COMBI ASSY			
506 40 81-05	A	ADJUSTER CPL			
506 40 81-07	A	ADJUSTER			
506 40 82-01	A	SLEEVE CPL			
506 40 83-05	AD	EXPANDABLE COLUMN ASSY			
506 40 84-06	AD	TOP SUPPORT CPL			
506 40 86-02	E	TOOL KIT			
506 40 88-09	D	DRILL RACK BASIC ASSY			
531 14 06-02	A	WING SCREW			
531 14 06-05	A	PIN			
531 14 06-06	A	STOP PIN			
531 14 06-07	A	SCREW			
531 14 06-13	A	WASHER			
531 14 06-14	A	NUT			
531 14 06-16	A	FORK			

A

DS50 BASIC/COMBI



1



15

16

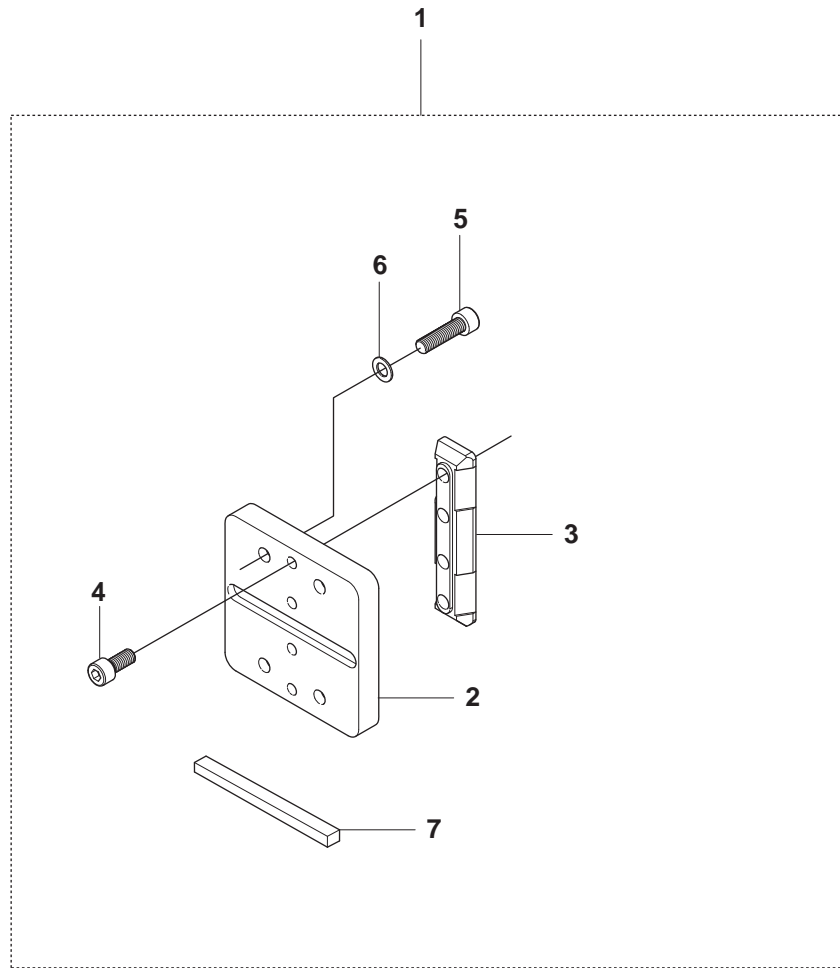
17

Husqvarna

Page A**DS50 BASIC / COMBI**

Pos.	Part No.	Description	Quantity	Notes
1	506 40 83-05	EXPANDABLE COLUMN ASSY	1	Incl. 2, 7, 8, 15, 17
2	506 40 82-01	SLEEVE CPL	1	Incl. 3-6
3	531 14 07-53	STOP SLEEVE	1	
4	531 14 06-05	PIN	1	
5	531 14 06-06	STOP PIN	1	
6	531 14 06-07	SCREW	1	
7	506 40 04-01	PIPE OUTER	1	
8	506 40 81-05	ADJUSTER CPL	1	Incl. 9-14
9	506 40 81-07	ADJUSTER	1	
10	506 40 14-02	BOLT KIT	1	
11	531 14 06-13	WASHER	1	
12	531 14 06-16	FORK	1	
13	531 14 06-14	NUT	1	
14	506 40 14-01	BOLT KIT	1	
15	506 40 05-01	PIPE INNER	1	Incl. 16
16	531 14 06-20	PLUG	1	
17	504 02 10-02	DECAL	1	
18	506 40 84-06	TOP SUPPORT CPL	1	Incl. 19
19	531 14 06-02	WING SCREW	1	

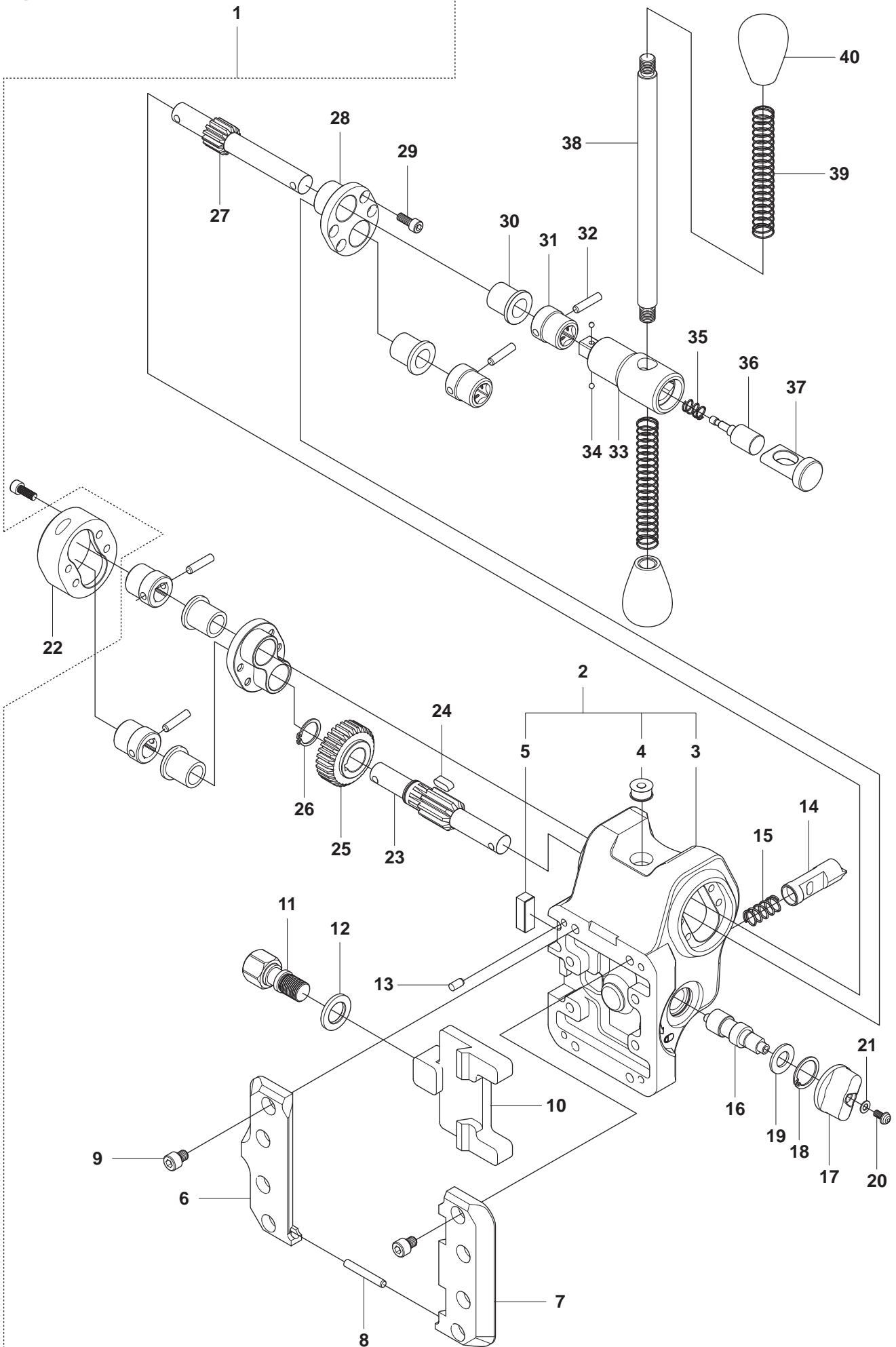
B DS50 BASIC/COMBI



Page B**DS50 BASIC/COMBI**

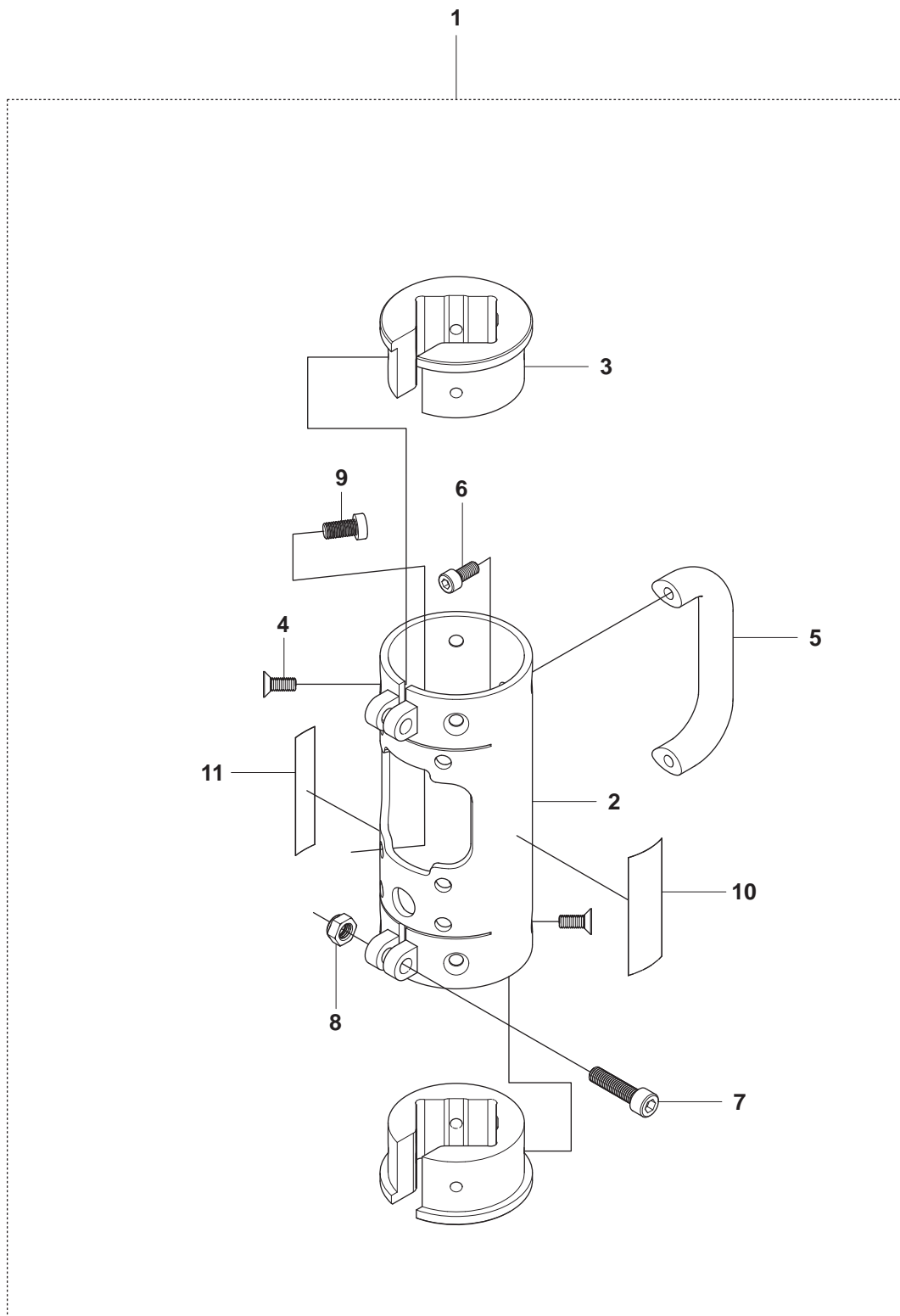
Pos.	Part No.	Description	Quantity	Notes
1	506 40 08-07	MOTOR MOUNT 50/70 ASSY	1	Incl. 2-6
2	504 71 92-01	MOTOR MOUNT 50/70	1	
3	504 90 83-33	WEDGE	1	
4	504 69 63-01	SCREW	4	
5	531 14 06-59	SCREW	4	
6	531 14 07-12	WASHER	4	
7	531 14 06-74	WEDGE	1	

C1 DS50 BASIC/COMBI



Page C1**DS50 BASIC/COMBI**

Pos.	Part No.	Description	Quantity	Notes
1	505 40 03-01	DRILL CARRIAGE 50 ASSY	1	Incl. 2, 6-41 and 2-11 on Page C2
2	505 40 03-10	MOUNTING BRACKET ASSY	1	Incl. 3-5
3	505 40 03-07	MOUNTING BRACKET	1	
4	531 14 08-97	LEVEL ROUND	1	
5	531 14 08-98	LEVEL SQUARE	1	
6	504 90 83-22	MOUNTING PLATE	1	
7	504 90 83-21	MOUNTING PLATE	1	
8	504 90 83-23	PIN	1	
9	504 90 83-24	SCREW	8	
10	504 90 83-25	LOCK SLEDGE	1	
11	504 90 36-01	SCREW	1	
12	504 71 19-01	WASHER	1	
13	504 90 83-26	PIN	1	
14	504 71 18-02	SLEEVE	1	
15	505 40 03-08	SPRING	1	
16	505 40 03-09	SLEEVE	1	
17	504 90 83-17	KNOB	1	
18	504 90 83-16	WASHER	1	
19	504 90 83-15	WASHER	1	
20	504 90 83-19	SCREW	1	
21	504 90 83-18	WASHER	1	
22	504 90 83-37	BRACKET	0	Fitting for Autofeed, not included.
23	504 90 49-01	SHAFT	1	
24	504 90 83-36	WEDGE	1	
25	504 60 06-01	GEAR WHEEL	1	
26	504 90 83-35	WASHER	1	
27	504 60 06-02	SHAFT	1	
28	504 90 83-07	LID	2	
29	504 90 83-12	SCREW	8	
30	504 90 83-08	BUSHING	4	
31	504 90 83-09	SLEEVE	4	
32	504 90 83-10	PIN	4	
33	505 40 03-03	SLEEVE	1	
34	504 90 83-05	BALL	2	
35	504 90 83-04	SPRING	1	
36	505 40 03-04	PLUG	1	
37	505 40 03-05	HOLDER	1	
38	531 14 06-82	LEVER	1	
39	531 14 06-73	SPRING	2	
40	531 14 06-72	GRIP	2	

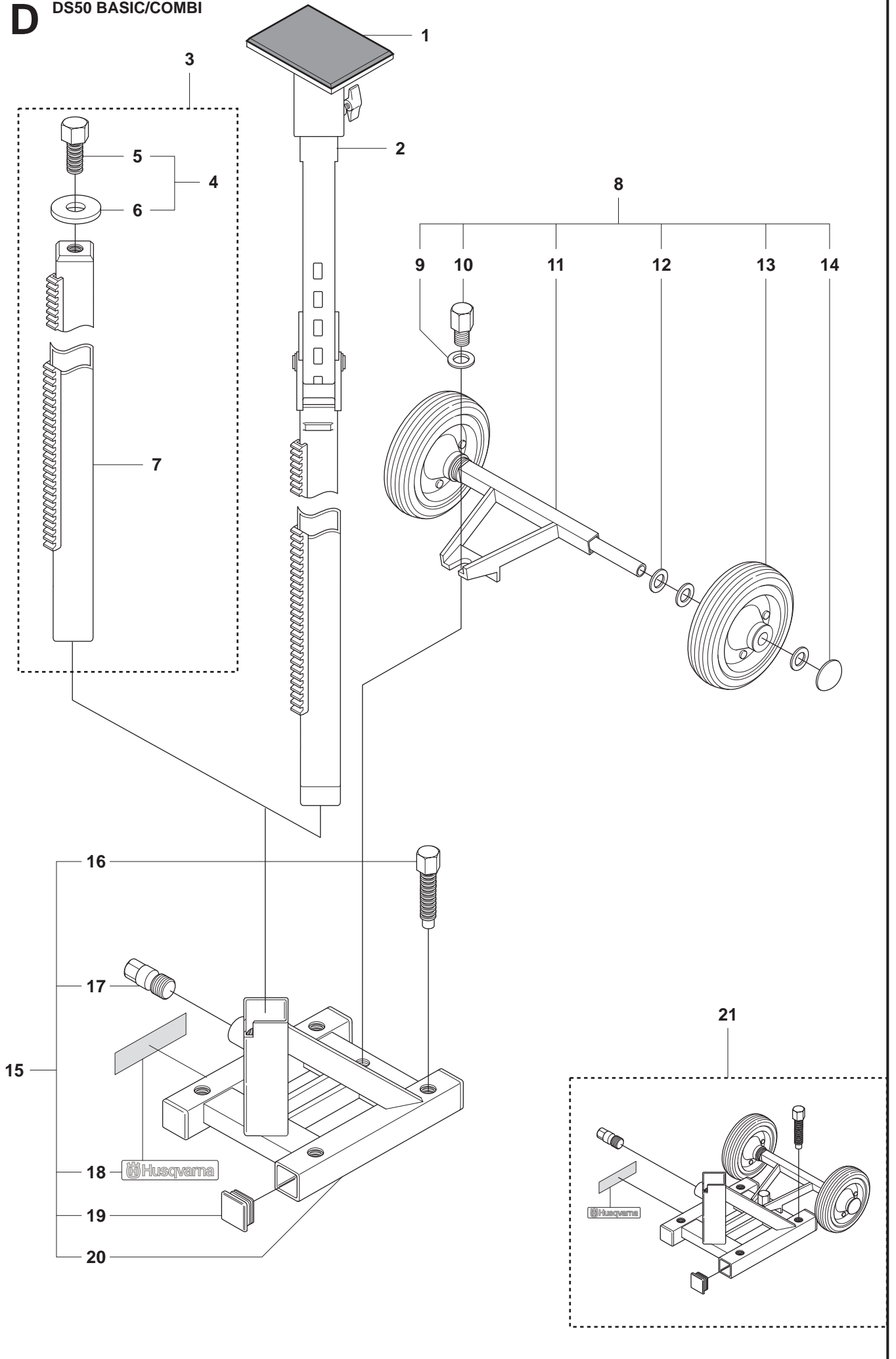


Page C2**DS50 BASIC/COMBI**

Pos.	Part No.	Description	Quantity	Notes
1	505 40 03-01	DRILL CARRIAGE 50 ASSY	1	Incl. 2-11 and 2, 6-41 on Page C1
2	505 40 03-11	DRILL CARRIAGE 50	1	
3	531 14 08-82	BUSHING	2	
4	531 14 06-58	SCREW	8	
5	505 40 03-12	HANDLE	1	
6	531 14 06-85	SCREW	2	
7	531 14 06-86	SCREW	2	
8	531 14 06-30	NUT	2	
9	504 90 83-04	SCREW	6	
10	544 12 85-02	DECAL CE	1	
11	504 02 10-01	DECAL HUSQVARNA	1	

D

DS50 BASIC/COMBI

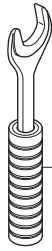
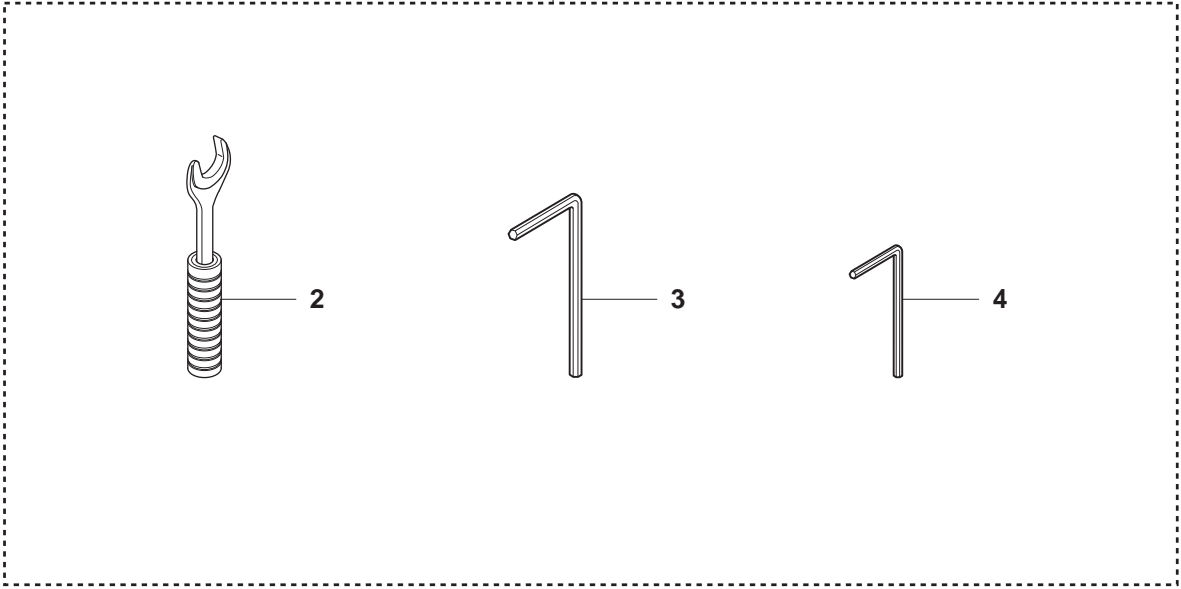


Page D**DS50 BASIC / COMBI**

Pos.	Part No.	Description	Quantity	Notes
1	506 40 84-06	TOP SUPPORT CPL	1	SEE ALSO PAGE A
2	506 40 83-05	EXPANDABLE COLUMN ASSY	1	SEE ALSO PAGE A
3	506 40 88-09	DRILL RACK BASIC ASSY	1	Incl. 4, 7
4	504 04 81-01	STOP SCREW 50 CPL	1	Incl. 5, 6
5	504 04 84-01	STOP SCREW	1	
6	504 04 82-01	WASHER	1	
7	544 03 01-01	DRILL RACK BASIC	1	
8	506 40 76-09	SHAFT HOLDER WITH WHEEL	1	Incl. 9-14
9	531 14 07-22	WASHER	1	
10	531 14 07-23	SCREW	1	
11	504 02 06-02	SHAFT HOLDER	1	
12	531 14 06-27	WASHER	6	
13	531 14 07-28	WHEEL	2	
14	531 14 07-30	COVER PLATE	2	
15	506 40 79-13	BASE PLATE BASIC NO WHEEL	1	Incl. 16-20
16	531 14 06-18	ADJUSTMENT SCREW	4	
17	544 06 97-01	LOCKING SCREW	1	
18	504 02 10-02	DECAL	1	
19	531 14 06-20	PLUG	4	
20	504 03 04-03	BASE PLATE BASIC	1	
21	506 40 80-14	BASE PLATE BASIC ASSY	1	

E DS50 BASIC/COMBI
TOOLKIT

1



2



3



4

Page E

DS50 BASIC / COMBI

Pos.	Part No.	Description	Quantity	Notes
1	506 40 86-02	TOOL KIT	1	Incl. 2-4
2	544 22 27-02	SPANNER 24MM	1	
3	531 14 07-62	L ALLEN KEY 8MM	1	
4	544 27 98-01	L ALLEN KEY 6MM	1	